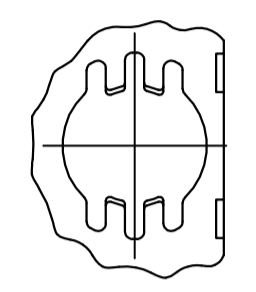
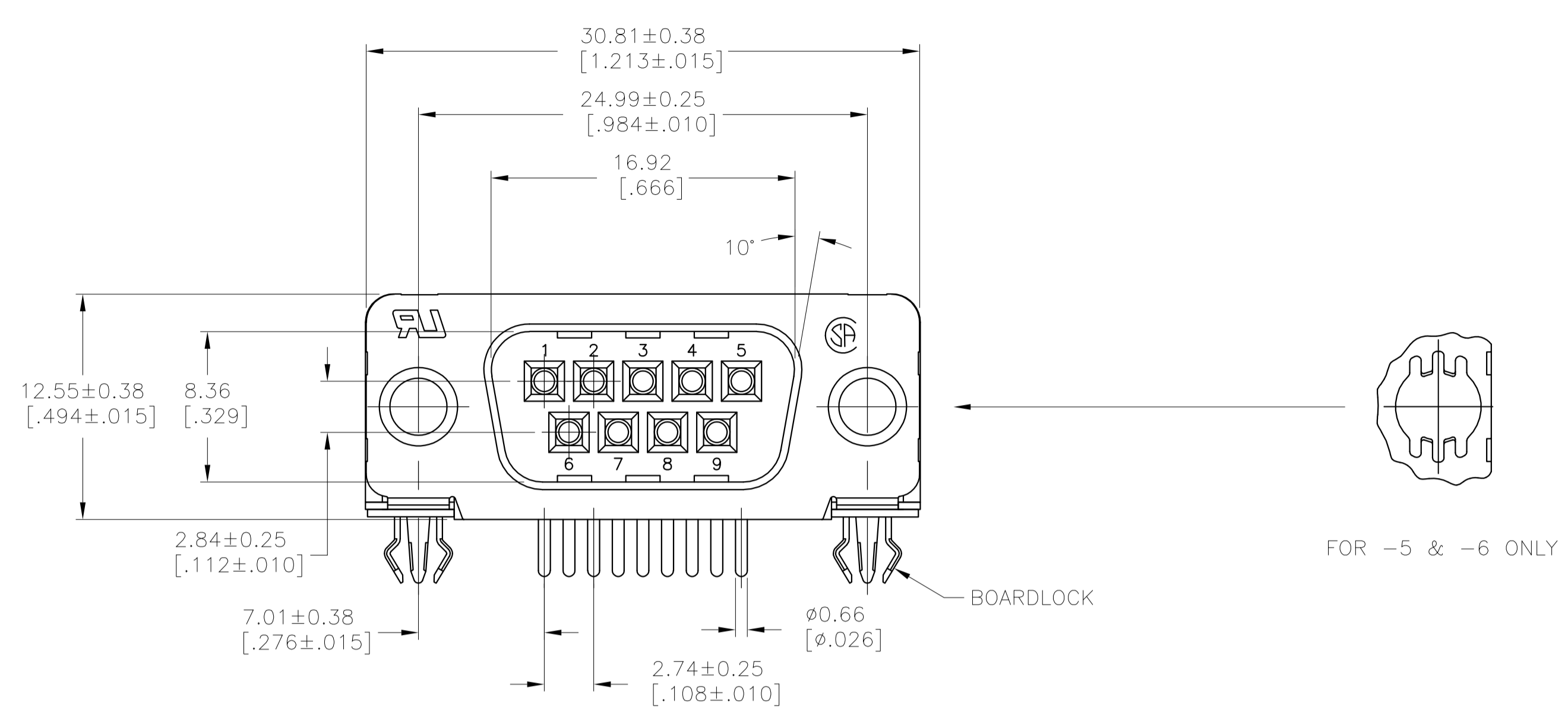
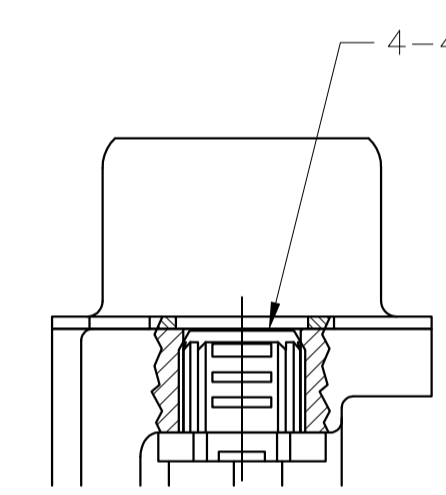
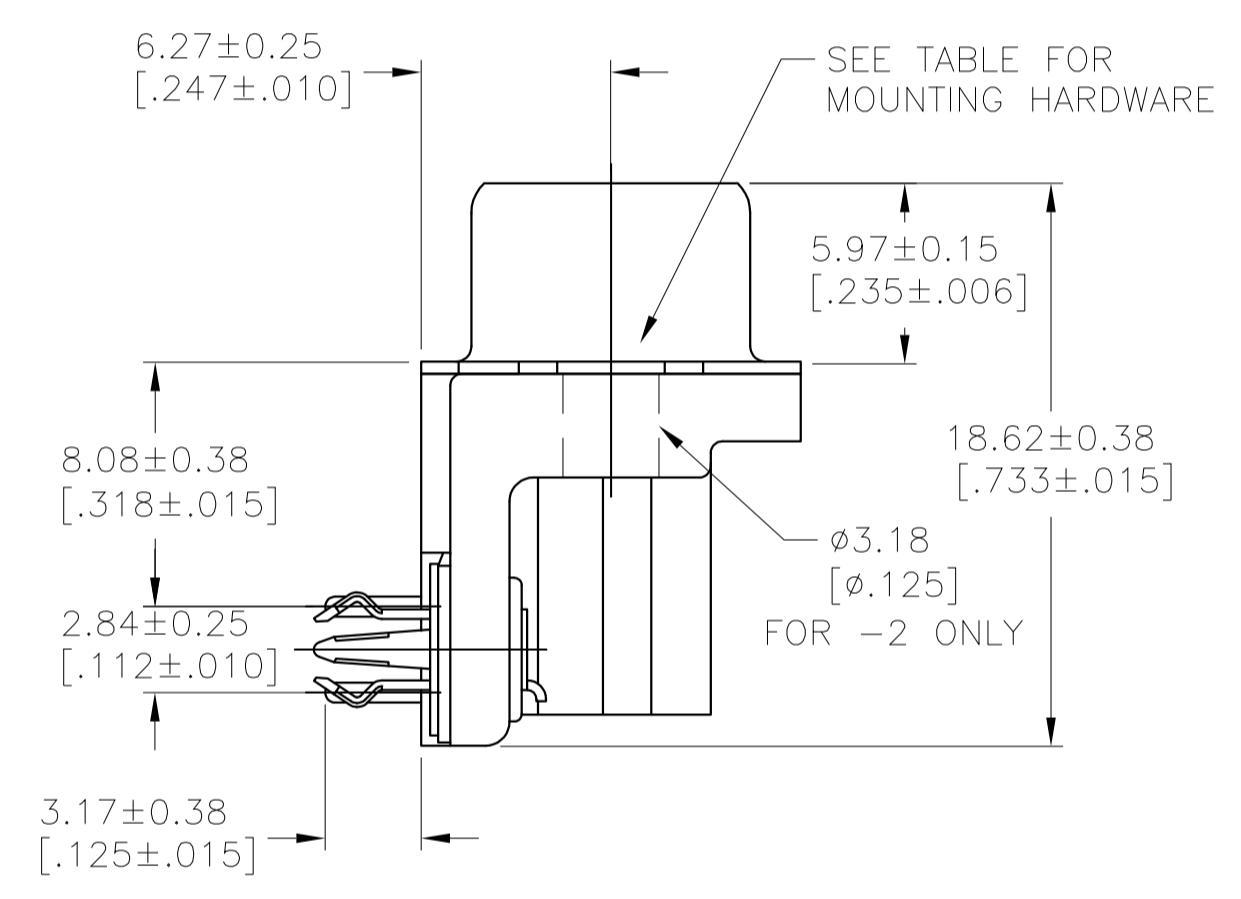
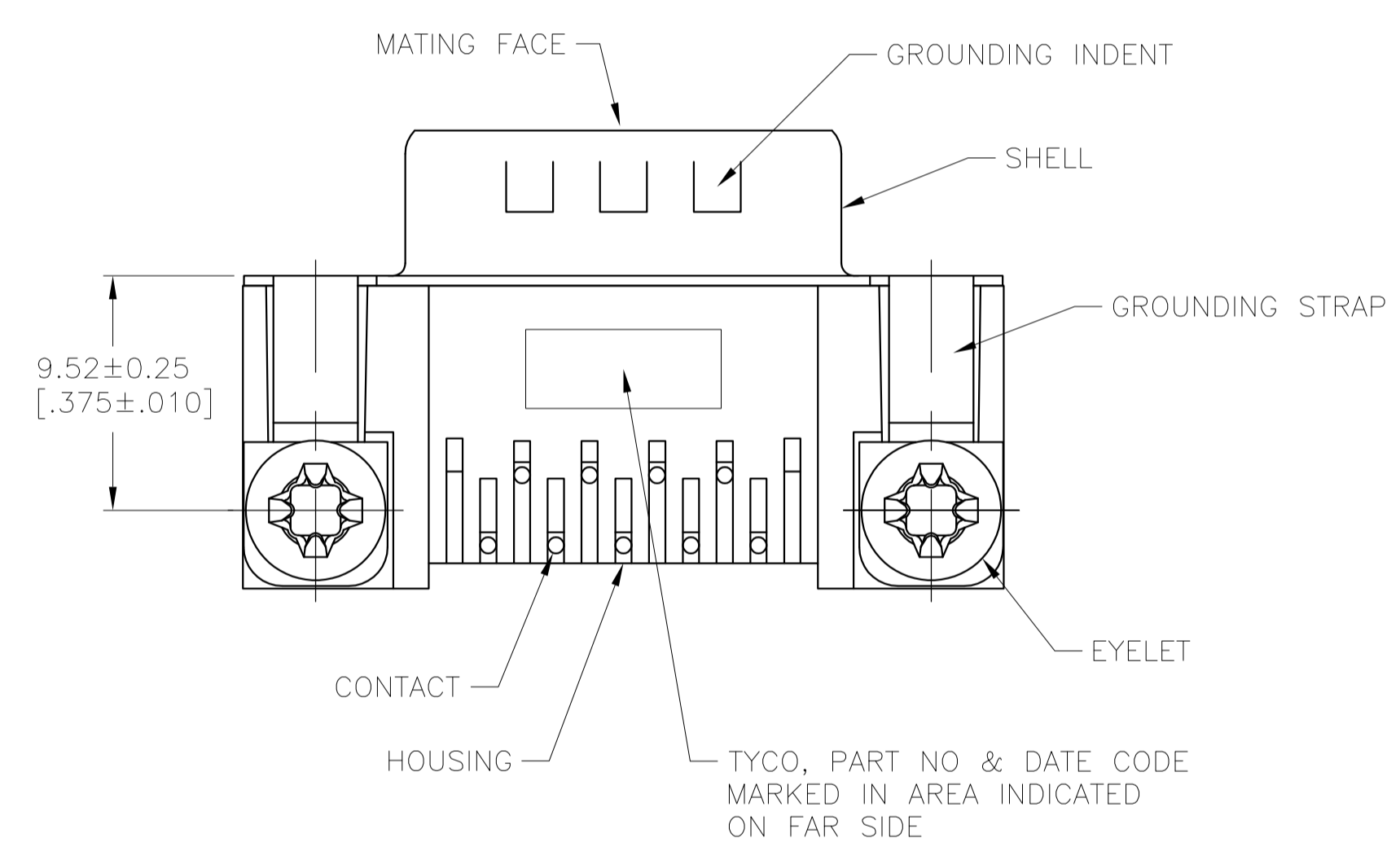


LOC		DIST		REVISIONS			
P	LTR	DESCRIPTION	DATE	DMN	APVD		
D		REVISED PER ECO-12-022391	02JAN2013	CJV	SLB		

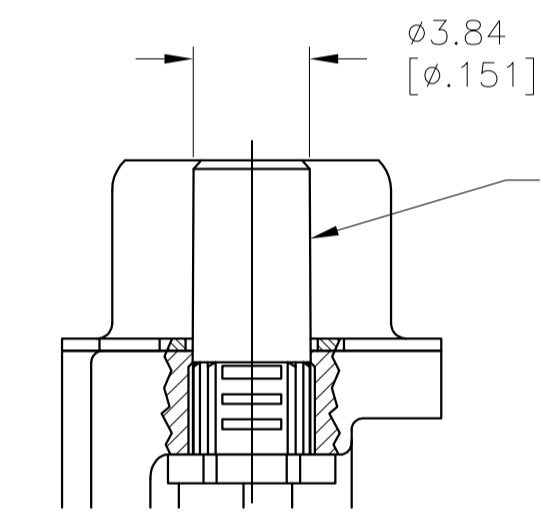


FOR -5 & -6 ONLY

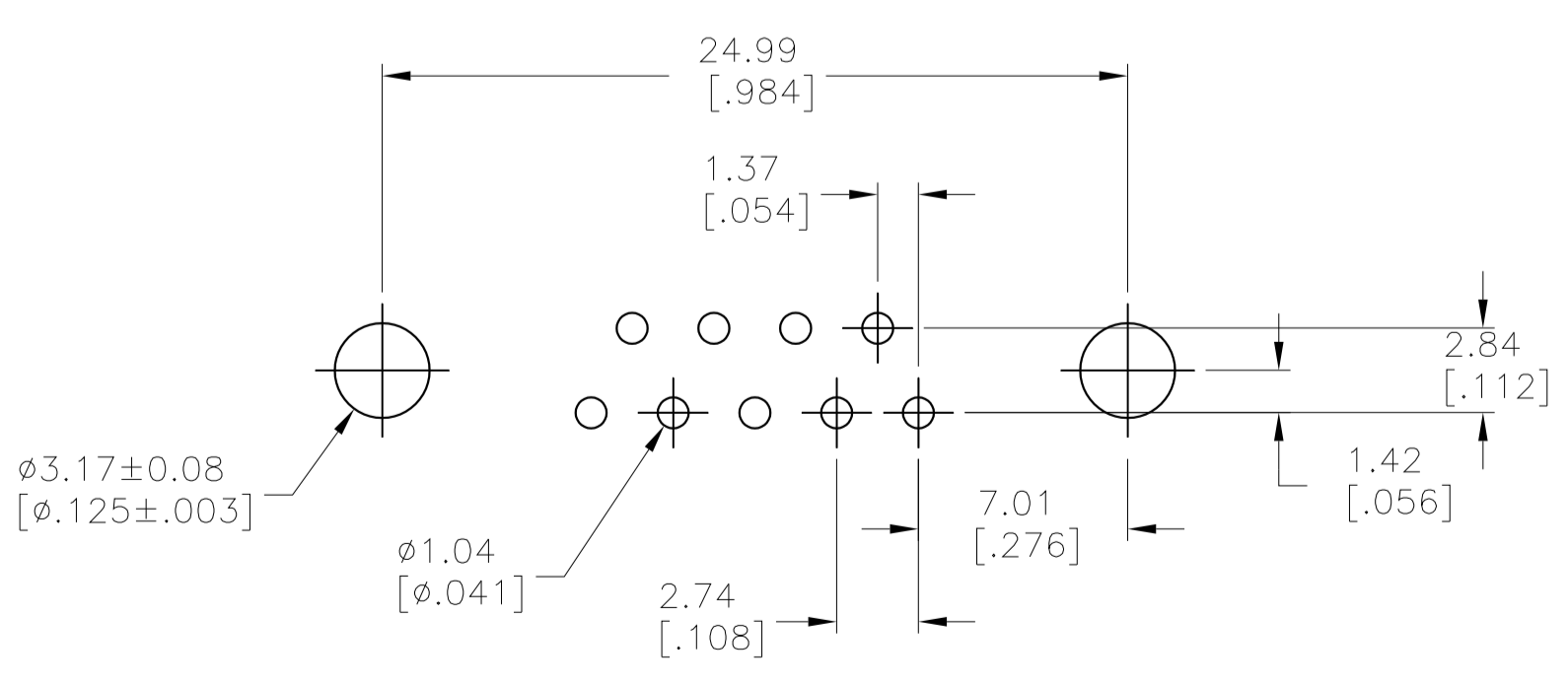
- 1 HOUSING: NYLON OR POLYESTER, FLAME RETARDANT, 94V-0 RATED, COLOR BLACK.  
SHELL: CARBON STEEL.  
CONTACTS: BRASS.  
EYELETS: BRASS.  
BOARDLOCKS: COPPER ALLOY.  
INSERTS: ZINC.  
SCREWLOCKS: ZINC.
- 2 SHELL: .00254μm[.000100] MIN TIN OVER .00127μm[.000050] MIN COPPER.  
CONTACTS: SEE TABLE.  
EYELETS: .00508μm[.000200] MIN TIN OVER COPPER FLASH.  
BOARDLOCKS: .00508μm[.000200] MIN TIN OVER .00127μm[.000050] MIN NICKEL.  
INSERTS: CLEAR CHROMATE.  
SCREWLOCKS: CLEAR CHROMATE.
- 3 0.76μm[.000030] MIN GOLD PLATE ON THE MATING SURFACES, 2.54μm[.000100] MIN TIN PLATE ON THE SOLDER END, 1.27μm[.000050] MIN NICKEL UNDERPLATE ON THE ENTIRE CONTACT  
-OR-  
GOLD FLASH OVER PALLADIUM-NICKEL PLATE, 0.76μm[.000030] MIN TOTAL ON THE MATING SURFACES, 2.54μm[.000100] MIN TIN PLATE ON THE SOLDER END, 1.27μm[.000050] MIN NICKEL UNDERPLATE ON THE ENTIRE CONTACT.
- 4 GOLD FLASH ON MATING END, .00254μm[.000100] MIN TIN ON SOLDER END, ALL OVER .00127μm[.000050] MIN NICKEL.



DETAIL A



DETAIL B



RECOMMENDED PC BOARD LAYOUT  
1.57[.062] PC BOARD  
(VIEWED FROM CONNECTOR SIDE)

1	SEE DETAIL B	5747840-6
2	SEE DETAIL B	5747840-5
3	SEE DETAIL A	5747840-4
4	SEE DETAIL A	5747840-3
	NONE	5747840-2
	CONTACT FINISH	MOUNTING HARDWARE
		PART NUMBER

**COPYRIGHT 2005  
TYCO ELECTRONICS CORP  
ALL RIGHTS RESERVED**

THIS DRAWING IS A CONTROLLED DOCUMENT. DIMENSIONING AND TOLERANCING PER ASME Y14.5M-2009		DWG: J.GERACE 07FEB05	STE TE Connectivity	
DIMENSIONS: INCHES		CHK: S.BOLASH 07FEB05	NAME: M.WALMSLEY 07FEB05	
TOLERANCES UNLESS OTHERWISE SPECIFIED:		APPR: M.WALMSLEY 07FEB05	PRODUCT SPEC: 108-40025	
0. PLC ± -	1. PLC ± -	APPLICATION SPEC: 114-40010	SIZE: A1	
2. PLC ± -	3. PLC ± 0.13(.005)	WEIGHT: -	CAGE CODE: 00779	
4. PLC ± -	ANGLES ± ±	CUSTOMER DRAWING	SCALE: 4:1 SHEET 1 OF 1 REV D	